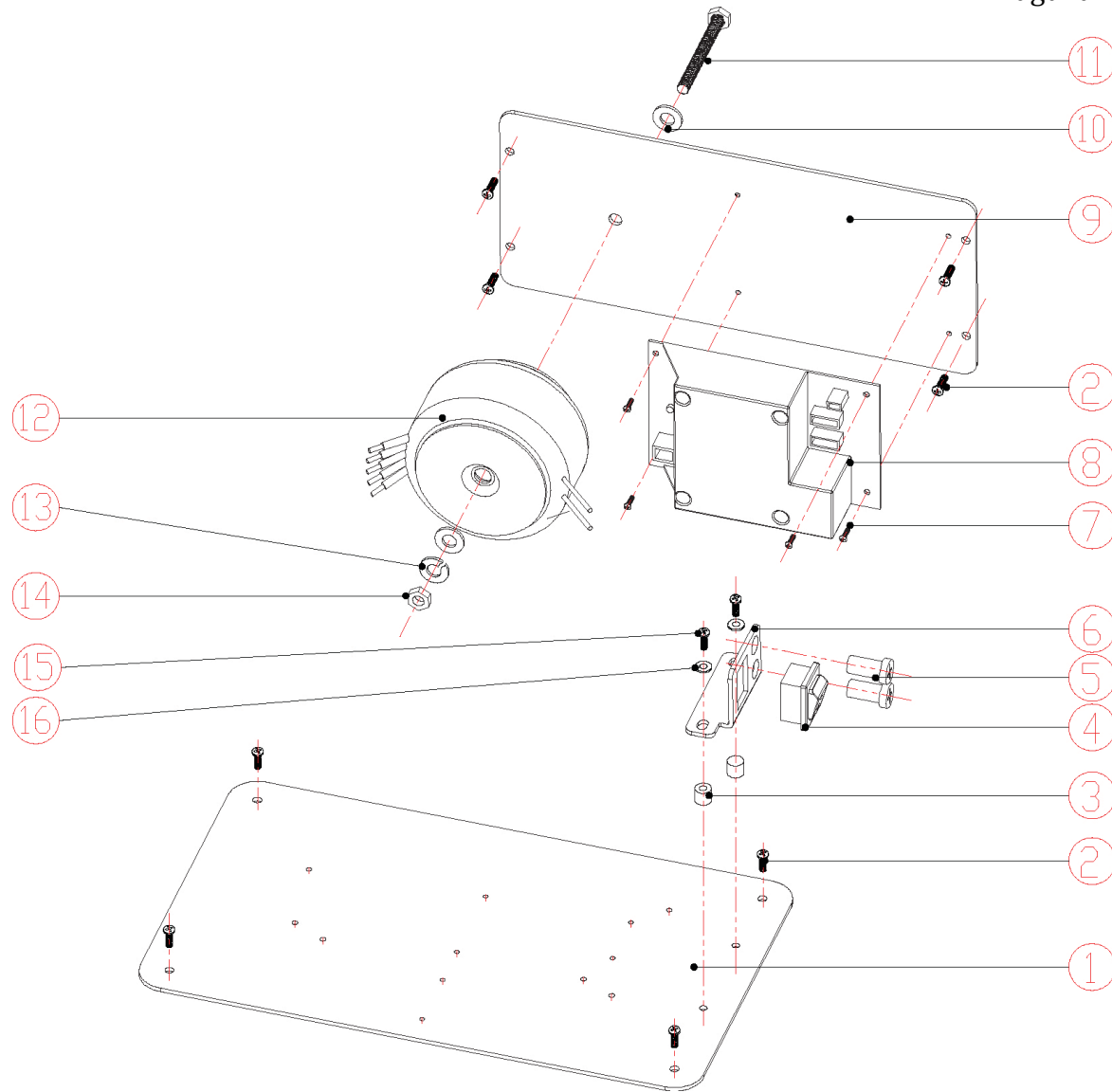




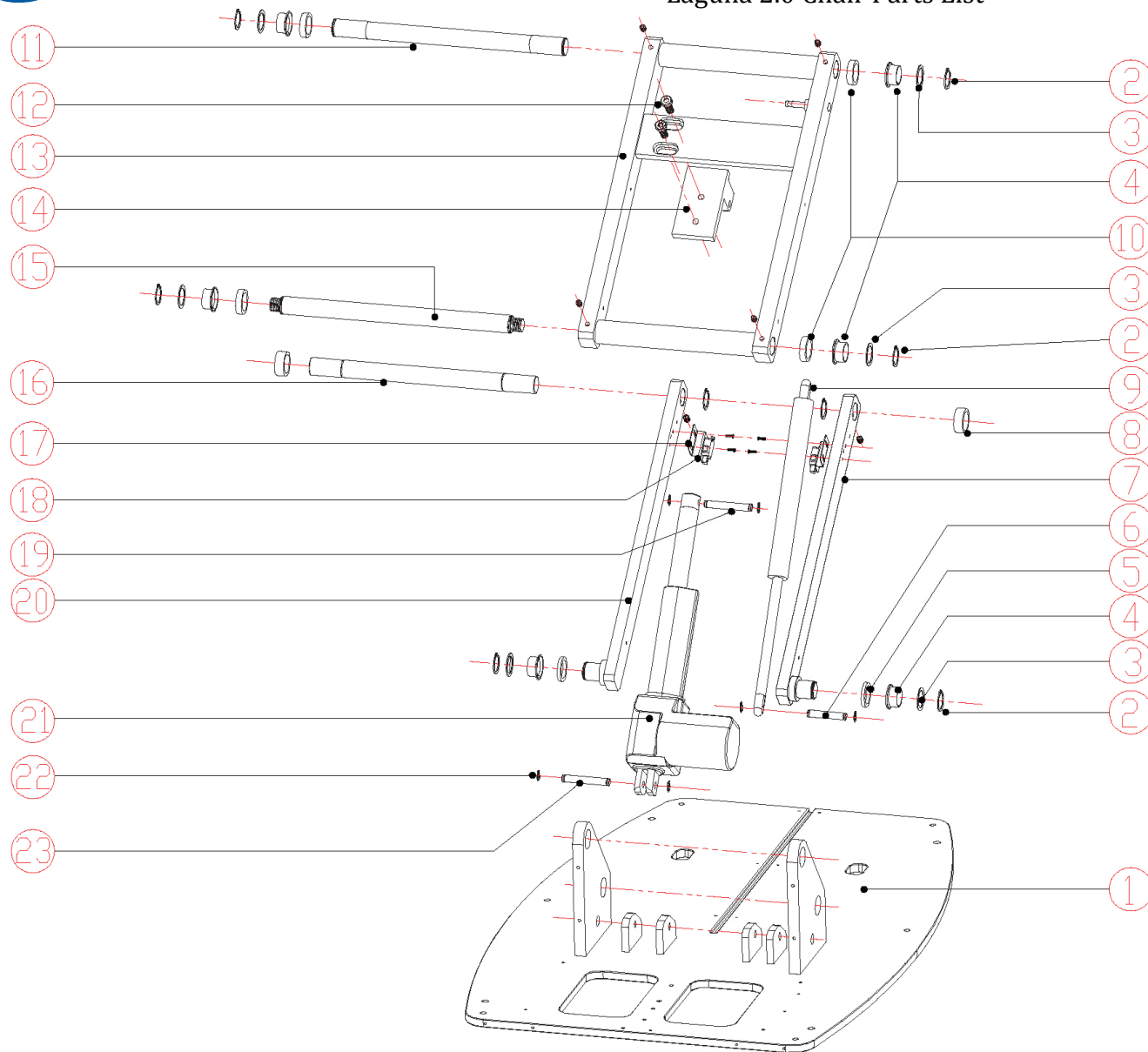
Laguna 2.0 Chair Parts List



No.	Description	Part Number
1	Base Plate	L20-1001
2	Screw M5	L20-1002
3	Stand off	L20-1003
4	Power Switch	L20-1004
5	Fuse Holder	L20-1005
6	Bracket	L20-1006
7	Screw M4	L20-1007
8	Main PCB	L20-1008
9	PBC plate	L20-1009
10	Washer	L20-10010
11	Bolt M8	L20-10011
12	Transformer 24V 350W	L20-10012
13	Lock Washer	L20-10013
14	Nut	L20-10014
15	Screw M4	L20-10015
16	Washer	L20-10016

TPC 851 S. Lawson St. City of Industry, CA 91748
 Phone 626-810-4337 Fax 626-810-4245

Laguna 2.0 Chair Parts List



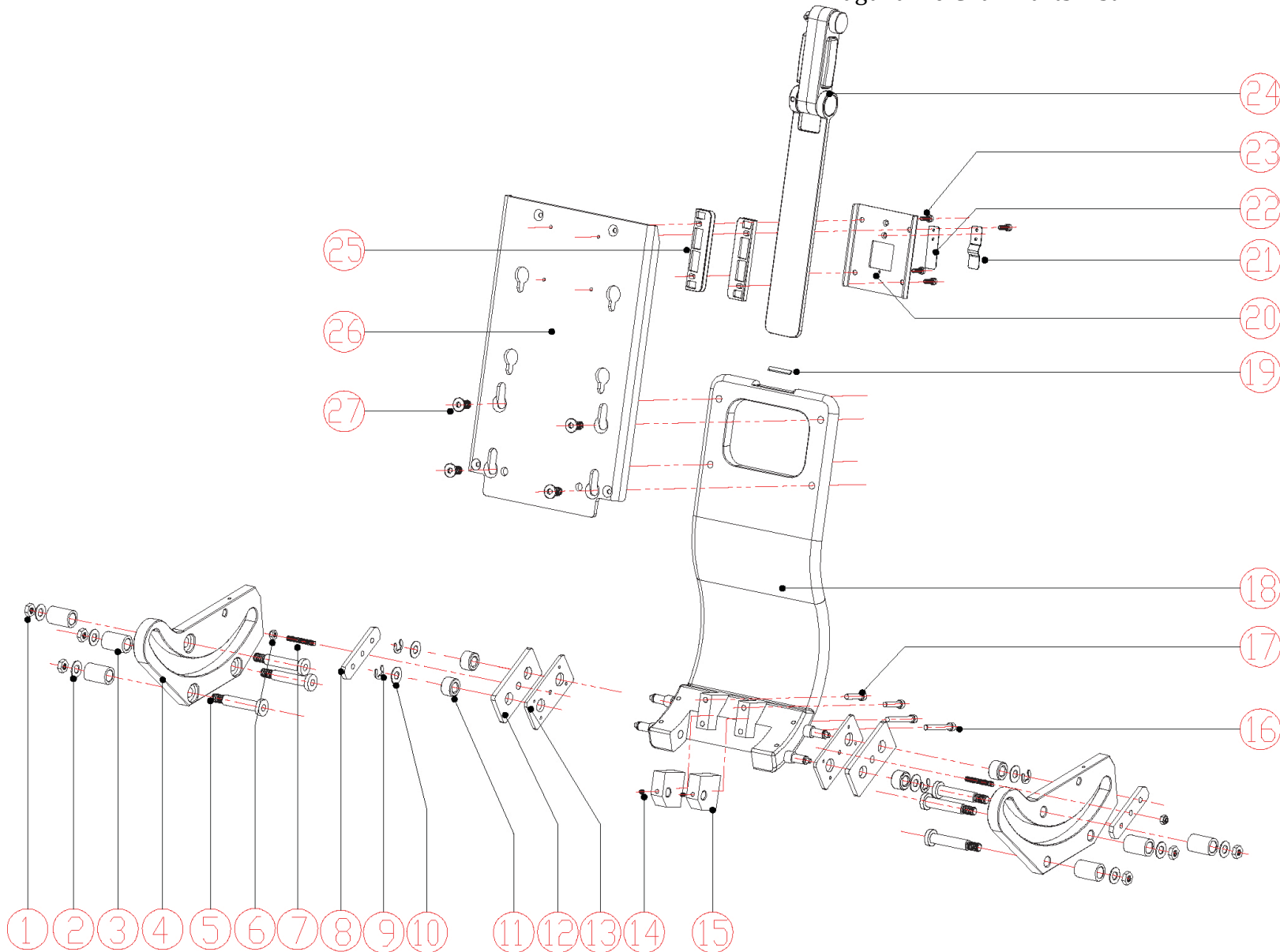


Laguna 2.0 Chair Parts List

No.	Description	Part Number
1	Steel Chair Base	L20-2001
2	Retaining Clip	L20-2002
3	Washer	L20-2003
4	Bushing	L20-2004
5	Spacer	L20-2005
6	Pin	L20-2006
7	Support Arm	L20-2007
8	Bushing	L20-2008
9	Hydraulic Assist cylinder	L20-2009
10	Bushing	L20-20010
11	Upper Support Rod	L20-20011
12	Allen Screw M10	L20-20012
13	Cantilever	L20-20013
14	Motor Mount	L20-20014
15	Lower Support Rod	L20-20015
16	Upper Support Rod	L20-20016
17	Safety Switch Bracket	L20-20017
18	Safety Switch	L20-20018
19	Motor Pin	L20-20019
20	Support Arm	L20-20020
21	Base Motor	L20-20021
22	C Clip	L20-20022
23	Pin	L20-20023



Laguna 2.0 Chair Parts List



TPC 851 S. Lawson St. City of Industry, CA 91748
Phone 626-810-4337 Fax 626-810-4245

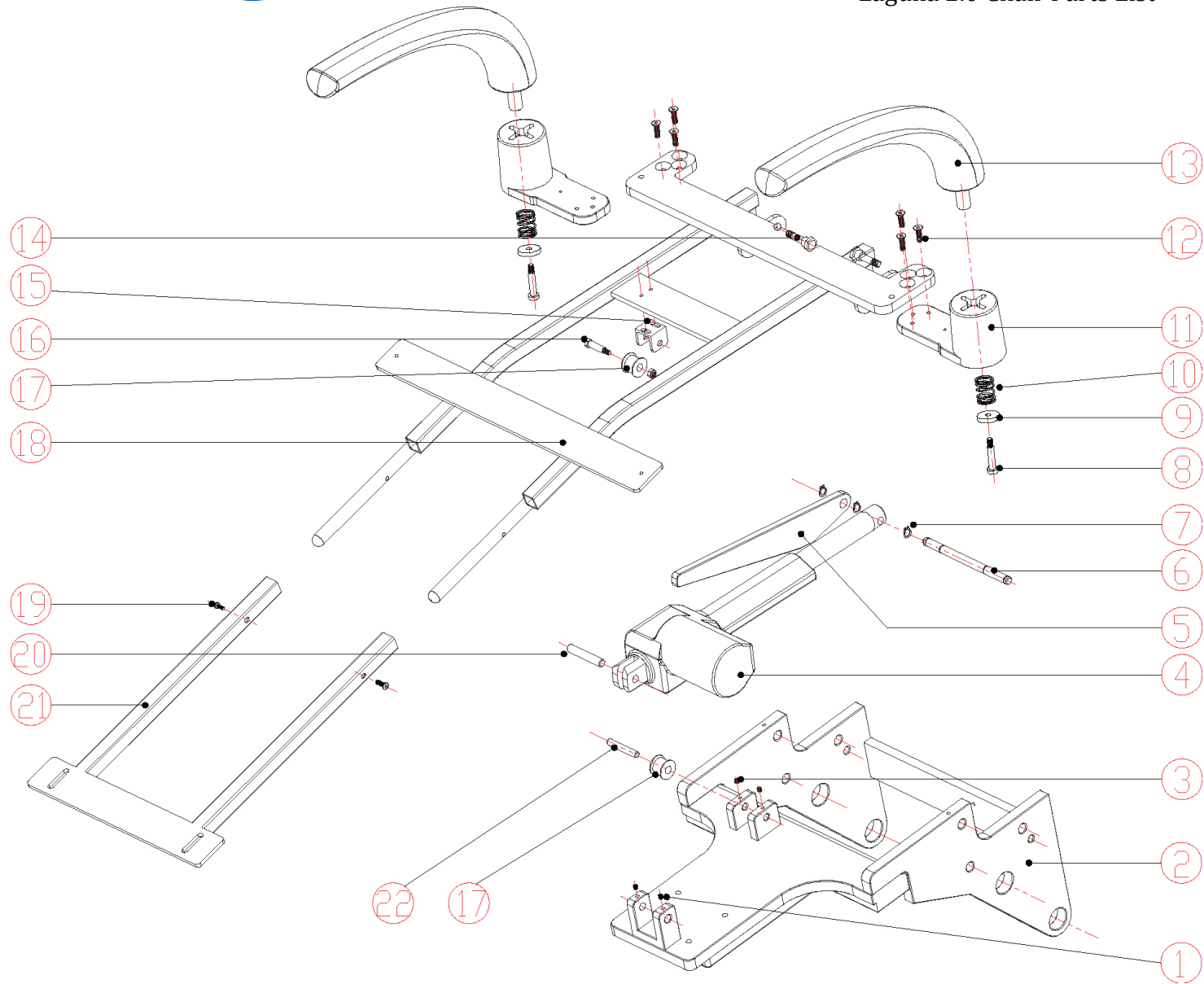


Laguna 2.0 Chair Parts List

No.	Description	Part Number
1	Nut	L20-3001
2	Washer	L20-3002
3	Bushing	L20-3003
4	Rt Side Backrest Track	L20-3004
5	Bolt M10x20	L20-3005
6	Nut	L20-3006
7	Threaded Pin tension adjustment	L20-3007
8	Nylon Friction Guide	L20-3008
9	C- Clip	L20-3009
10	Washer	L20-30010
11	Bushing	L20-30011
12	Friction Guide 1	L20-30012
13	Friction Guide 2	L20-30013
14	Set Screw	L20-30014
15	Backrest motor mount	L20-30015
16	Allen Bolt Long M6x45mm	L20-30016
17	Allen Bolt Short M6x30mm	L20-30017
18	Backrest Cast	L20-30018
19	Stop Pad	L20-30019
20	Headrest tension block	L20-30020
21	Tension Tab	L20-30021
22	Nylon Friction Tab	L20-30022
23	Screw M5x16	L20-30023
24	Headrest stem	L20-30024
25	Headrest slide tabs	L20-30025
26	Backrest Mounting plate	L20-30026
27	Screw M10x25	L20-30027



Laguna 2.0 Chair Parts List



TPC 851 S. Lawson St. City of Industry, CA 91748
Phone 626-810-4337 Fax 626-810-4245



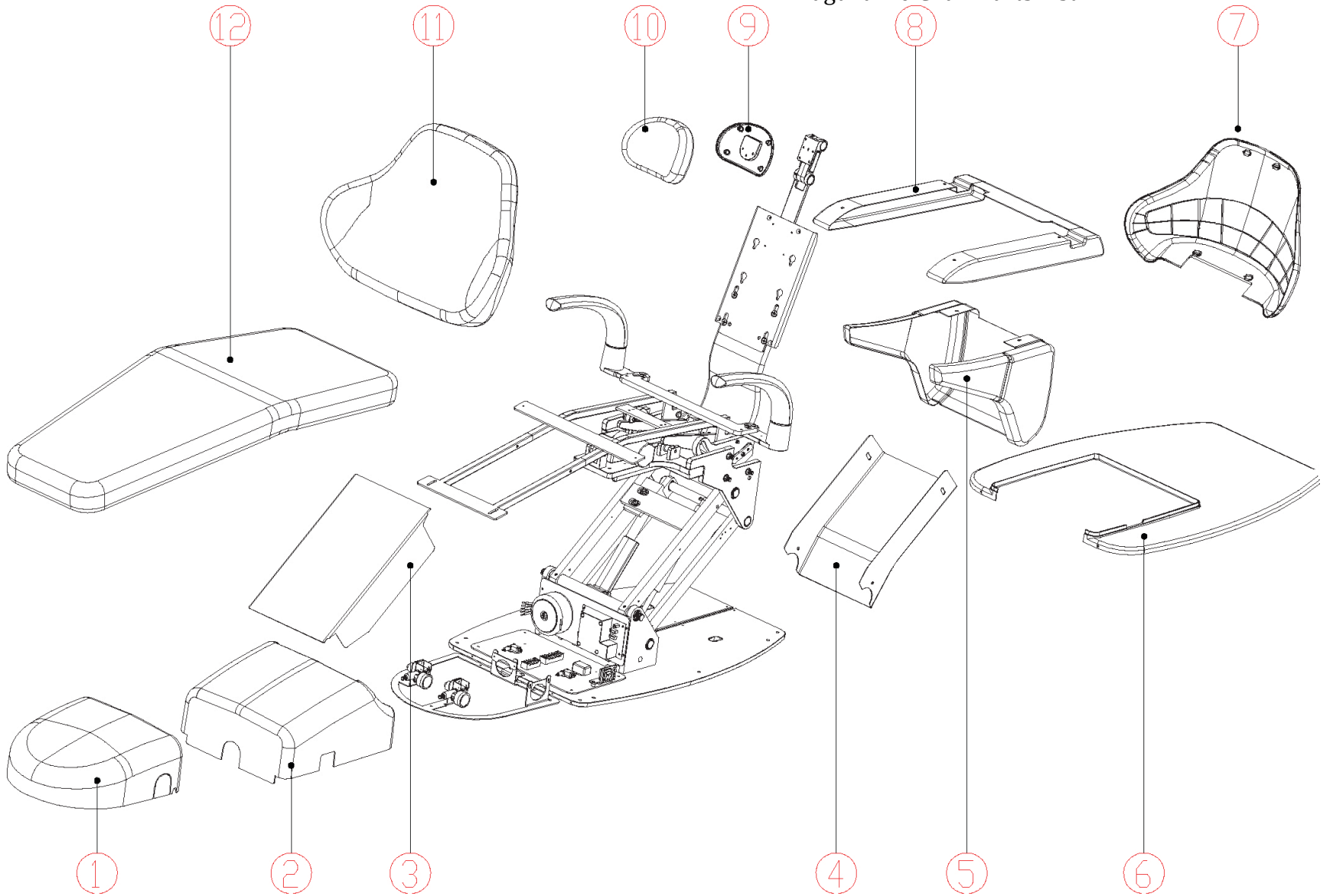
Laguna 2.0 Chair Parts List

No.	Description	Part Number
1	Set Screw M6x6	L20-4001
2	Upper Chair Top	L20-4002
3	Set Screw M5x5	L20-4003
4	Backrest Motor	L20-4004
5	Glide Arm	L20-4005
6	Pin	L20-4006
7	C -Clip	L20-4007
8	Bolt M6	L20-4008
9	Washer	L20-4009
10	Spring	L20-40010
11	Armrest Hub	L20-40011
12	Allen Screw M6x25	L20-40012
13	Armrest	L20-40013
14	Bolt M8x10	L20-40014
15	Roller Mount	L20-40015
16	Shoulder Bolt	L20-40016
17	Roller	L20-40017
18	Seat Frame Upper Half	L20-40018
19	Screw	L20-40019
20	Motor Pin	L20-40020
21	Seat Frame Lower	L20-40021
22	Roller Pin	L20-40022

TPC 851 S. Lawson St. City of Industry, CA 91748
Phone 626-810-4337 Fax 626-810-4245

TPC

Laguna 2.0 Chair Parts List



TPC 851 S. Lawson St. City of Industry, CA 91748
Phone 626-810-4337 Fax 626-810-4245



Laguna 2.0 Chair Parts List

No.	Description	Part Number
1	Utility Center cover Mirage 2.0 unit	L20-5001
2	Pump Cover	L20-5002
3	Cantilever Front Cover	L20-5003
4	Cantilever Rear Cover	L20-5004
5	Lower Back plastic cover	L20-5005
6	Base Plate Cover	L20-5006
7	Backrest Cover	L20-5007
8	Upper Seat Frame Plastic Cover	L20-5008
9	Headrest Plastic back cover	L20-5009
10	Headrest Cushion	L20-50010
11	Backrest Upholstery	L20-50011
12	Seat Cushion Upholstery	L20-50012

TPC 851 S. Lawson St. City of Industry, CA 91748
Phone 626-810-4337 Fax 626-810-4245